



Packaging Industry

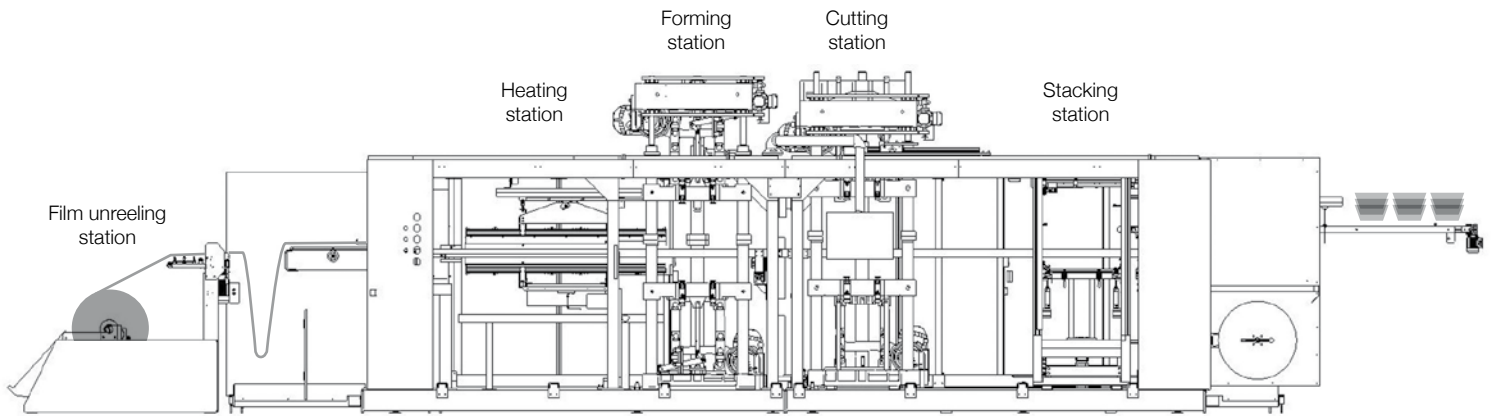
# SPEEDFORMER KMD 64 Premium



The KMD 64 Premium is the "biggest" among the small-sized pressure forming machines and thus more powerful.

The machine is used for the manufacture of packaging products made of (R)PET, PP, PS, CPET, OPS, PLA, PE and others.

Maximize your effectiveness and output!



Automatic Pressure  
Forming Machine  
**KMD 64 Premium**



Pick & Place: powerful and stable



Heating with efficient ceramic elements (HTS)



Table supports full form/tool size, tension bars for perfect cutting

- Forming and Cutting Station in solid steel cast structure with needle bearings for toggles
- Forming station with independent servo-plug drive on upper table
- No compromise on Kiefel „KISS CUT“ by use of tension bars in cutting station and forming station when cut-in-place (BFS)
- Stacking station design as up-stacker or Pick & Place available
- Tooling from KMD 52 and KMD 60 Speed can be used

Technical Data	KMD 64 Premium
Maximum forming area	620 x 440 mm
Minimum forming area	260 x 250 mm
Maximum tool dimensions	640 x 460 mm
Maximum tool weight per table	250 kg
Maximum height of formed part above film level	120 mm
Maximum height of formed part below film level	120 mm
Maximum film width	670 mm
Maximum production speed / BFS-mode	40 cycles/min. / 35 cycles/min.