



Packaging Industry

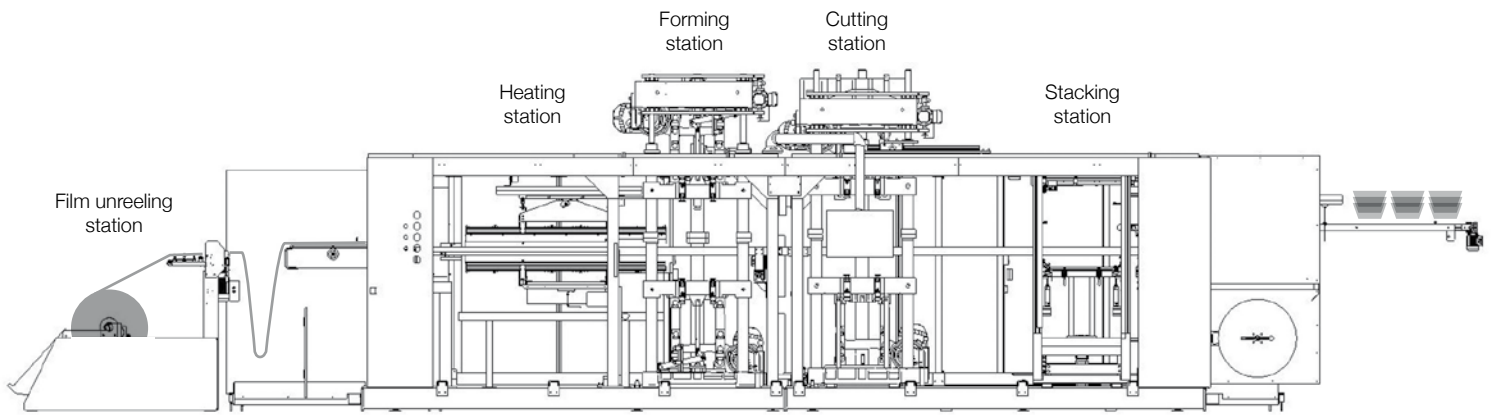
# SPEEDFORMER KMD 78.1 Speed



The KMD 78.1 Speed is a global bestseller setting new standards and securing the positive growth of our customers.

The machine is used for the manufacture of packaging products made of (R)PET, PP, PS, CPET, OPS, PLA, PE and others.

Only the best is good enough!



Automatic Pressure Forming Machine  
**KMD 78.1 Speed**



Better products due to independent servo-plug drive

CAT turns basic data into perfect products



Tip-stacking: easy, manually or automatic packing

- Heating station with efficient black ceramic elements (HTS), individual element control
- Pyrometer to measure and ensure stable film temperature via closed-loop auto heat performance adjustment
- No compromise on Kiefel „KISS CUT“ by use of tension bars in cutting station and forming station when cut-in-place (BFS)
- Stacking station design as up-stacker or down-stacker, with tip-stacker or Pick & Place available
- Frame extension available for hole-punching station or integration of padding station

Technical Data	KMD 78.1 Speed
Maximum forming area	760 x 580 mm
Minimum forming area	375 x 350 mm
Maximum tool dimensions	780 x 600 mm
Maximum tool weight per table	400 kg
Maximum height of formed part above film level	150 mm
Maximum height of formed part below film level	150 mm
Maximum film width	810 mm
Maximum production speed / BFS-mode	50 cycles/min. / 45 cycles/min.