



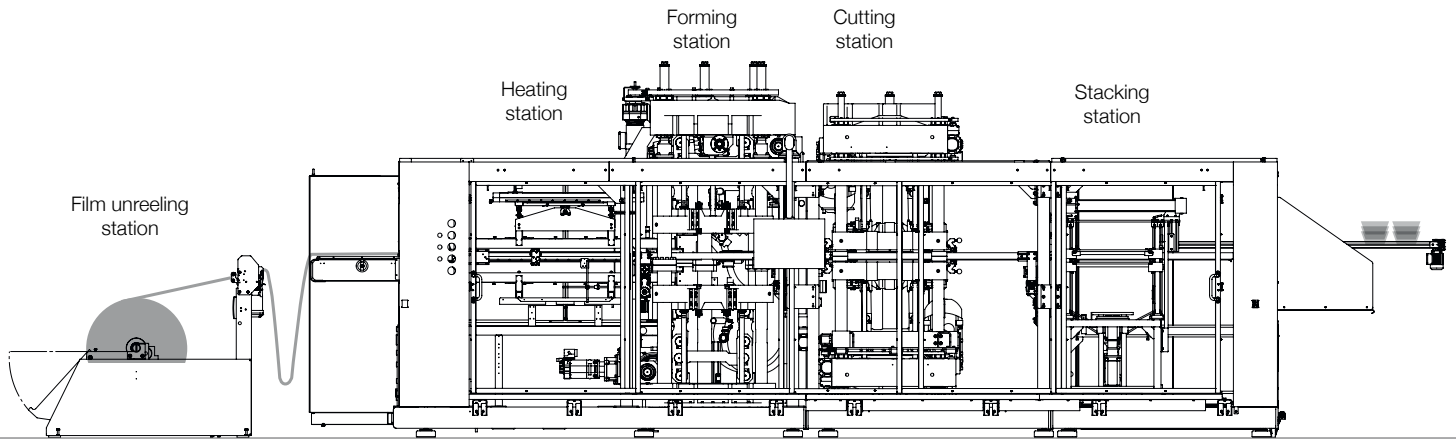
Packaging Industry

SPEEDFORMER KMD 78 Power



The KMD 78 Power combines innovation and proven technical solutions. Benefit from maximum efficiency.

The pressure forming machine impresses – whether processing (R)PET, PP, PS, CPET, OPS, PLA, PE and others in forming parts – with the core values: Robust. Dynamic. Powerful.



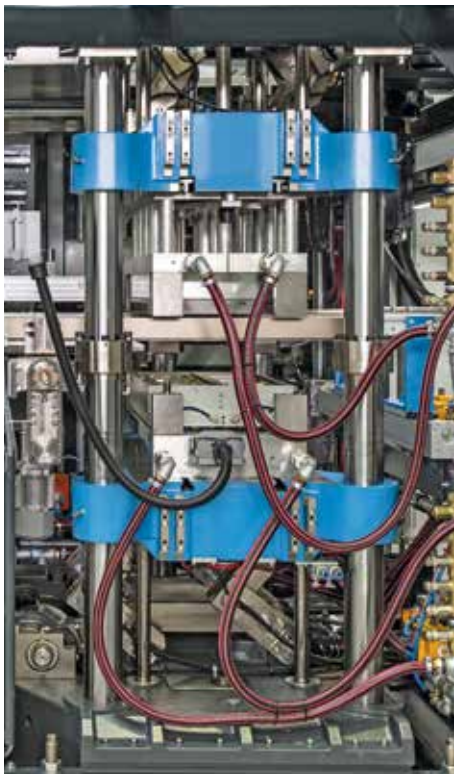
Automatic Pressure
Forming Machine
KMD 78 Power



RDK toolsets fit without requiring adaption of any kind



Heating with efficient ceramic elements (HTS)



RDK toolsets fit without requiring adaption of any kind

- Pyrometer to measure and ensure stable film temperature via closed loop auto-heat performance adjustment
- Forming and Cutting Station in solid steel cast structure with needle bearings for toggles
- No compromise on Kiefel „KISS CUT“ by use of tension bars in cutting station and forming station when cut-in-place (BFS)
- Stacking station design as up-stacker or down-stacker, with tip-stacker or Pick & Place available
- Modular frame design for tailor made machine configuration

Technical Data

KMD 78 Power

| | |
|--|---------------------------------|
| Maximum forming area | 760 x 580 mm |
| Minimum forming area | 250 x 330 mm |
| Maximum tool dimensions | 780 x 600 mm |
| Maximum tool weight per table | 300 kg |
| Maximum height of formed part above film level | 125 mm |
| Maximum height of formed part below film level | 125 mm |
| Maximum film width | 810 mm |
| Maximum production speed / BFS-mode | 50 cycles/min. / 45 cycles/min. |